

Equalisation Vessels for flow restrictors



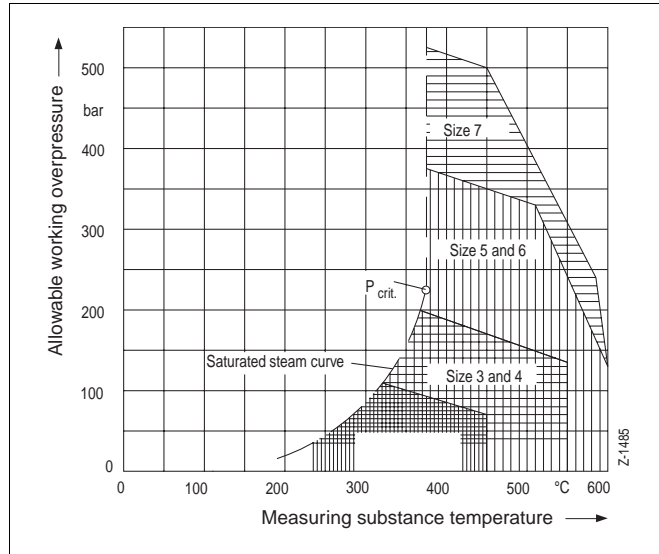
When making steam measurements using flow restrictors, two equalisation vessels are required (DIN 19211). These vessels keep the water in the differential pressure lines at a constant level. The range of operation of the connection fittings should be determined according to the operating data at the point of measurement.

Mounting and welding are not part of the scope of supply.

Technical data

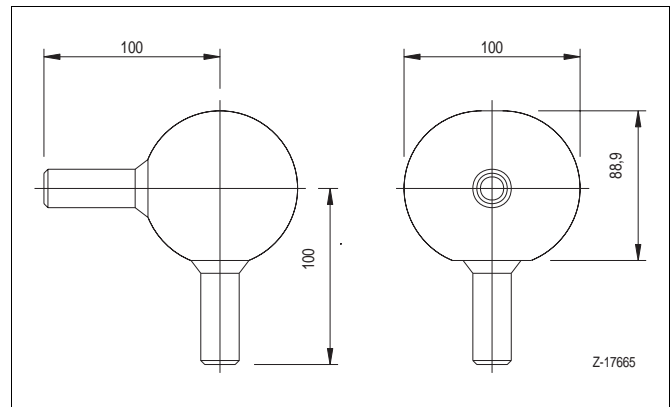
If required, the vessel (Code No. 301) can be certified with manufacturer's certificate acc. to Section 9 (2)1. of the Pressurized Containers Ordinance as well as with material certificates acc. to DIN 50049 3.1 A for the material used and is thus prepared for a subsequent overall acceptance test by the TÜV (Technical Inspectorate) at the operator's premises.

The manufacturer can make provision for individual TÜV acceptance tests of equalisation vessels with issuing of acceptance test certificates 3.1 A (costs based on the investment needed).



Application for balancing vessels as per DIN 19211

Dimensional drawings (dimensions in mm)



Size	Form	Case	Coupling	Welded connection pipe ¹⁾
2	C	St 45.8 Mat.No. 1.0405	St 45.8 Mat.No. 1.0405	Pipe 24 × 7.1
4	C	13CrMo44 Mat.No. 1.7335	13CrMo44 Mat.No. 1.7335	Pipe 24 × 7.1
6	C	10CrMo910 Mat.No. 1.7380	10CrMo910 Mat.No. 1.7380	Pipe 24 × 7.1
7	C	10CrMo910 Mat.No. 1.7380	10CrMo910 Mat.No. 1.7380	Pipe 24 × 7.1

¹⁾ shape of groove; code 22 to DIN 2559

Ordering information

Equalisation vessel acc. to DIN 19211					Catalog No.		
Size	Form	Volume approx.	Material	kg. approx.			
2	C	300 cm ³	1.0405	1.8	14940-2824175 ²⁾		
4	C	250 cm ³	1.7335	2.4	14940-2824176 ²⁾		
6	C	170 cm ³	1.7380	3.5	14940-2824177 ²⁾		
7	C	110 cm ³	1.7380	4.2	14940-2824178		

Additional ordering information

Manufacturer's certificate and material certificates ²⁾	14999-07957512		
Manufacturer's certificate and material certificates ³⁾	14999-07957513		
Individual TÜV acceptance test with acceptance			

¹⁾ Ex-stock version

²⁾ Single order

Contact us

ABB Ltd.

Process Automation

Oldends Lane, Stonehouse
Gloucestershire, GL10 3TA
UK

Phone: +44 (0)1453 826661

Fax: +44 (0)1453 829671

ABB Inc.

Process Automation

125 E. County Line Road
Warminster PA 18974
USA

Phone: +1 215 674 6000

Fax: +1 215 674 7183

ABB Automation Products GmbH

Process Automation

Dransfelder Str. 2
37079 Goettingen
Germany

Phone: +49 551 905-534

Fax: +49 551 905-555

www.abb.com

Note

We reserve the right to make technical changes or modify the contents of this document without prior notice. With regard to purchase orders, the agreed particulars shall prevail. ABB does not accept any responsibility whatsoever for potential errors or possible lack of information in this document.

We reserve all rights in this document and in the subject matter and illustrations contained therein. Any reproduction, disclosure to third parties or utilization of its contents – in whole or in parts – is forbidden without prior written consent of ABB.

Copyright© 2011 ABB

All rights reserved

3KXF511003R1001

10/14-5-26-EN.01.2011