

Plug-in gapless metal-oxide surge arresters

Protection for medium-voltage gas-insulated switchgear



Separable gapless metal-oxide surge arresters (MO-arresters) in a screened metal housing provide effective protection against overvoltages in MV GIS.

ABB plug-in MO-arresters are designed to secure the functioning of the switchgear, by absorbing the excess stress caused by lightning and switching operations, while keeping the system screened.

ABB's surge arresters come with compact design to fit standard and customized gas-insulated switchgear. They are designed and tested according to IEC 60099-4 and fulfill the requirements of GB 11032. The plug-in design ensures fast and easy installation.

Overvoltage protection of medium-voltage gas-insulated switchgear (MV GIS).

Key features

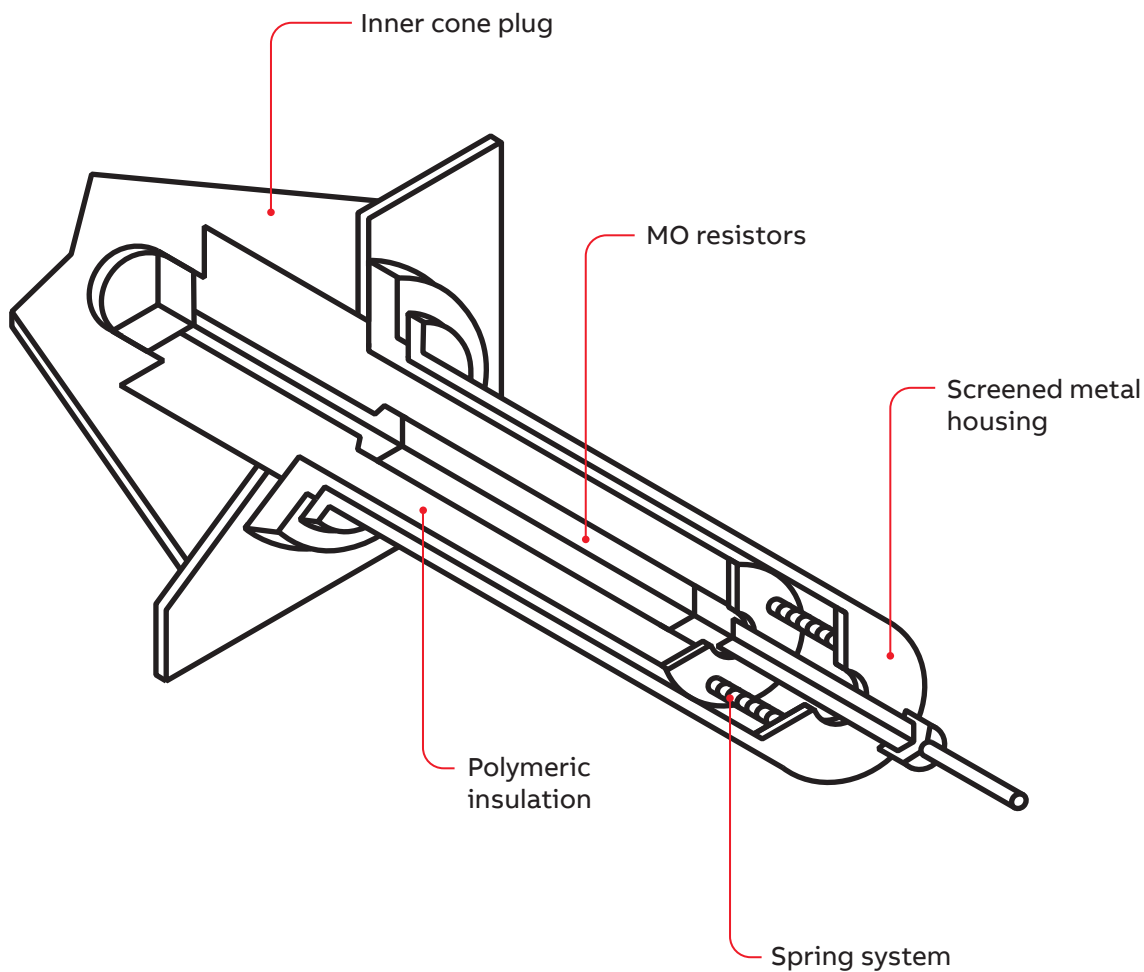
- Two cone designs to ensure the best connection according to EN 50181
- Designs available for indoor and outdoor use
- Maximum safety (touch proof design for reduced health and safety risk)
- Integrated spring provides continuous compression load for assured contact
- Isolated ground bolt allows for connection of surge counters or monitoring systems
- Optimized cone design to avoid air pockets between the surge arrester and switchgear

Customer benefits and savings

- Fast and easy installation, as the surge arrester is delivered with a precompressed spring that eliminates the need for excessive compression force
- Maintenance-free
- Slower ageing of insulation of other equipment in the network
- Compact solution for overvoltage protection
- Minimal distance between the arrester and the protected device

ABB for your competitive edge

- More than 100 years of experience in overvoltage protection
- More than 30 years of experience with silicone insulation
- Global supplier with local support teams
- Proven track record with many customer references worldwide
- In-house metal-oxide resistors production
- All equipment manufactured internally by ABB with full monitoring and control of the entire design, production and delivery process



Plug-in MO surge arrester range available for MV GIS




Type	POLIM-D..PI-2	POLIM-D..PI-3	POLIM-D..PI-3 Outdoor
			
Technical data			
Maximum system voltage U_s , kV	52	52	52
Continuous voltage U_c , kV _{rms}	14 – 41	34 – 42	24 – 42
Rated voltage U_r , kV _{rms}	17.5 – 51.3	42.5 – 52.5	30 – 52.5
IEC 60099-4 class (Ed. 3.0)	DH	DH	DH
Installation	Indoor	Indoor	Outdoor

ABB Switzerland Ltd.
 High Voltage products
 Surge Arresters
 P.O. Box, Jurastrasse 45
 CH-5430 Wettingen/Switzerland
 Phone +41 58 585 29 11
 E-Mail sales.sa@ch.abb.com

www.abb.com/arrestersonline

The information given in this document inclusive of all illustrations covers key technical data and application options. We reserve the right to make technical changes or modify the contents of this document without prior notice. With regard to purchase orders, the agreed particulars shall prevail. ABB does not accept any responsibility whatsoever for potential errors or possible lack of

information in this document. We reserve all rights in this document and in the subject matter and illustrations contained therein. Any reproduction, disclosure to third parties or utilization of its contents – in whole or in parts – is forbidden without prior written consent of ABB.

Copyright © 2018 ABB.
 All rights reserved