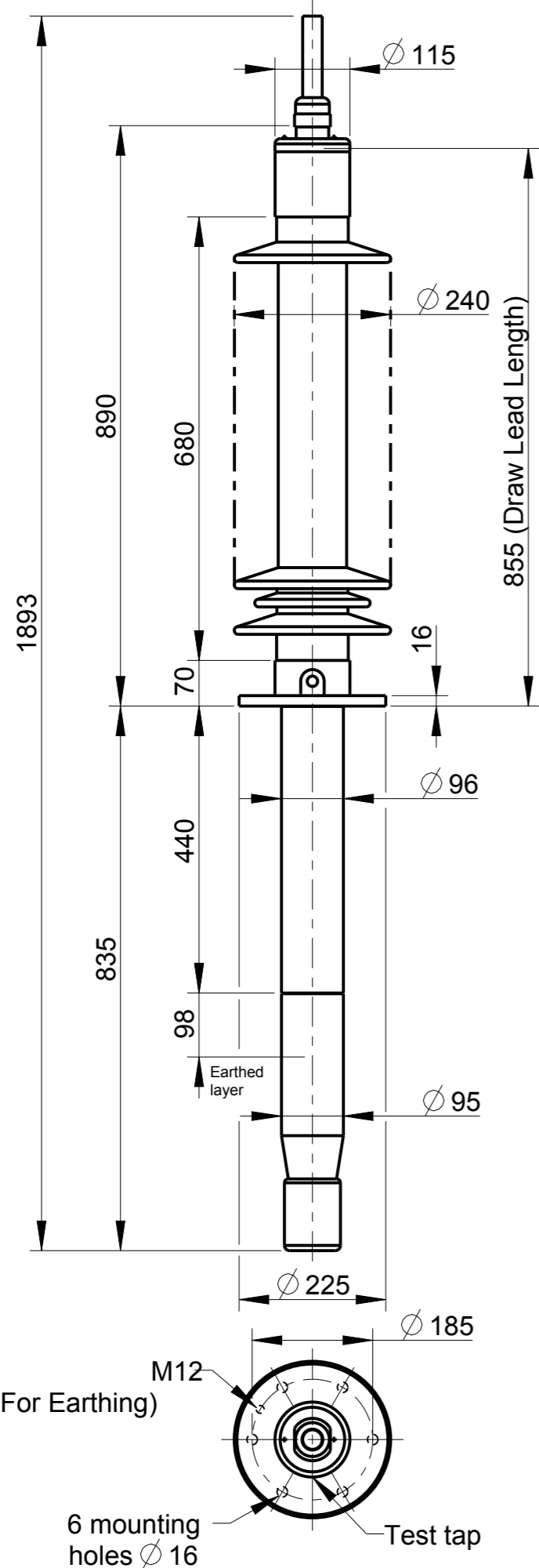
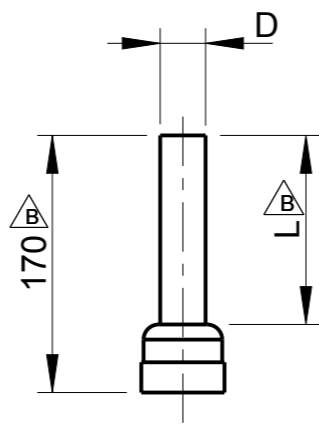


This document is issued by means of a computerized system. The digitally stored original is electronically approved. The approved document has a date entered in the 'Approved'-field. A manual signature is not required.

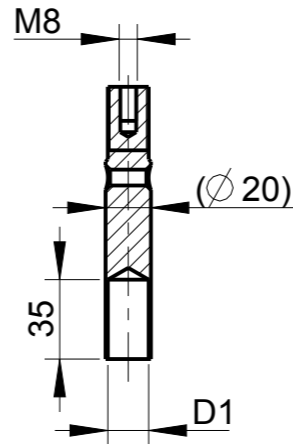
The information contained in this document has to be kept strictly confidential. Any unauthorized use, reproduction, distribution or disclosure to third parties are strictly forbidden. ABB reserves all rights regarding Intellectual Property Rights. © Copyright 2013 ABB. All rights reserved.



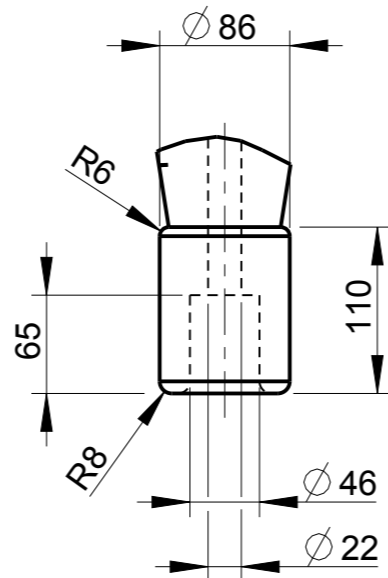
OUTER TERMINAL



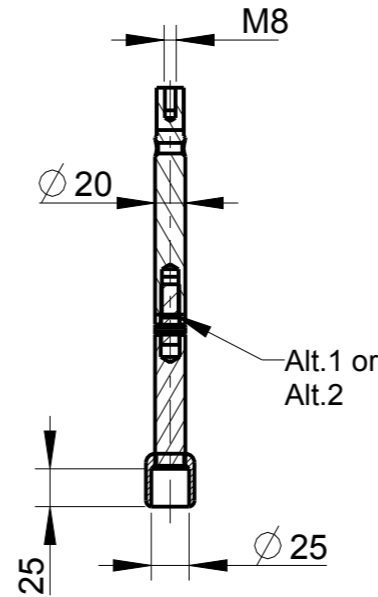
INNER TERMINAL FOR STRANDED CABLE



END SHIELD

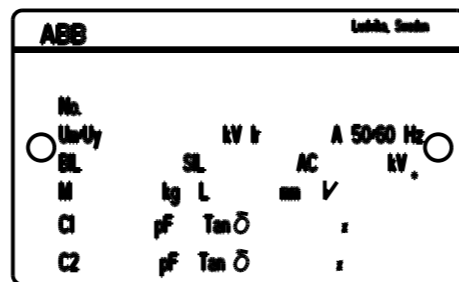


SOLID ROD CONNECTOR



The solid rod can be divided either:
 Alt.1: 20mm below the bushing flange or
 Alt.2: 20mm below the upper end of the bottom porcelain

Note:
 Mounting inclination $0-45^\circ$.
 $\triangle B$ For inclined and horizontal mounting, see Installation and Maintenance Guide.



Bushing Data:

Rated Voltage	100	kV
Phase to Ground Voltage	72.5	kV
Dry Lightning Impulse 1,2/50 μ s	380	kV
Wet power frequency AC	150	kV
Routine test 1min dry 50Hz	162	kV
Rated Current	800	A
Creepage Distance	2210 \pm 70	mm
Creepage Distance Protected	870	mm
Mass	39	kg

Ordering Data:

BUSHING	COLOUR AIR INSULATOR
LF123095-M	BROWN
-N	LIGHT GREY $\triangle B$
OUTER TERMINAL	Material D L
LF 170 002-A	Cu Alloy $\phi 30$ 125
LF 170 001-A	Al $\phi 30$ 125
OTHER TYPES ON REQUEST	
INNER TERMINAL FOR STRANDED CABLE	
For brazing	Conductor area D1
LF 170 011-S	up to 150mm ² $\phi 18$
LF 170 011-U	Undrilled with pilot hole $\phi 5$
For crimping or brazing	Conductor area D1
LF 170 010-M	50mm ² $\phi 11$
LF 170 010-N	70mm ² $\phi 13$
LF 170 010-L	95mm ² $\phi 15$
SOLID ROD CONNECTOR	Material
LF 170 019 -S for Alt.1	Cu
LF 170 019 -P for Alt.2	Cu
TERMINAL PLATE	Material
LF 170 014-A	Aluminium
LF 170 021-A	Nickel-Plated Copper

Prepared	iladmin	2008-04-30	Responsible department	PPCO/BK	Title	GOB 380-800-0.5	
Modified by	Palpandi K	2013-04-26	Take over department				
Approved by	Niklas Olsson	2013-05-07	Used in product				
Revision	B	Note added & out terminal dim changed			Order	WITHOUT OIL LEVEL GAUGE LONG END SHIELD 82	
ABB					Document no.	2751369-132	
						Language	EN
						Sheet no.	1
						No. ShTs.	(1)