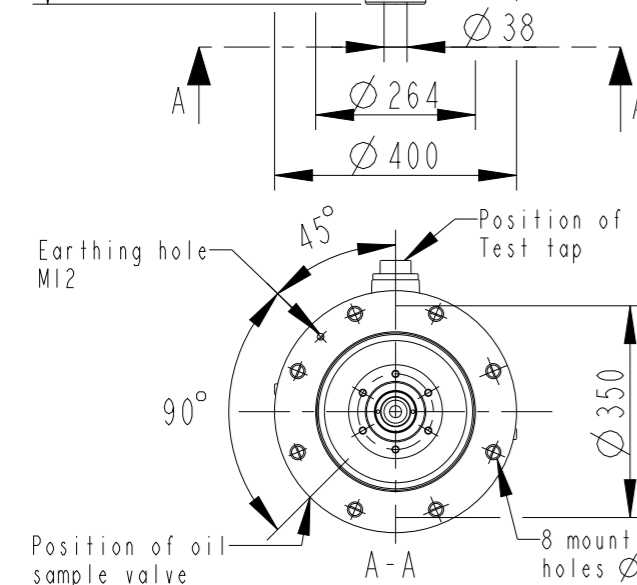
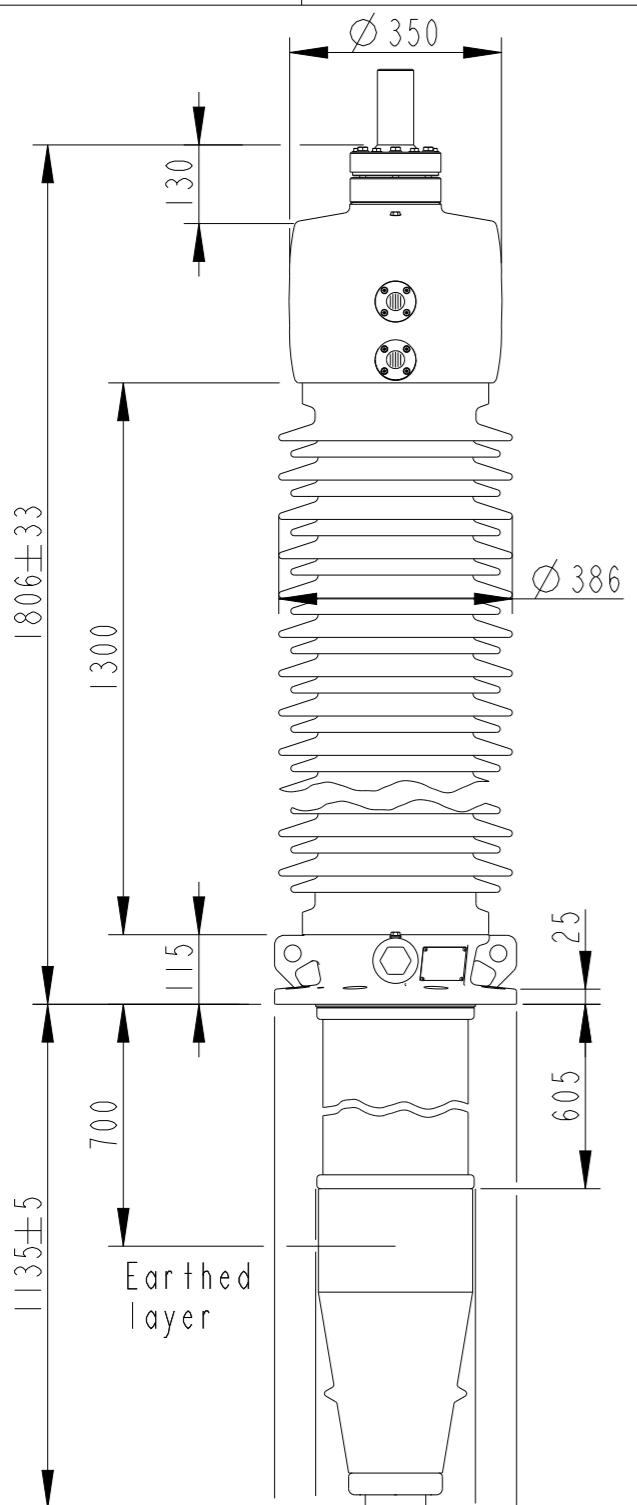


This document is issued by means of a computerized system. The digitally stored original is electronically approved. The approved document has a date entered in the "Approved"-field. A manual signature is not required.

The information contained in this document has to be kept strictly confidential. Any unauthorized use, reproduction, distribution or disclosure to third parties are strictly forbidden. ABB reserves all rights regarding Intellectual Property Rights. © Copyright 2013 ABB. All rights reserved.



Bushing Data:

Rated Voltage	145 kV
Phase to-earth Voltage	84 kV
Dry Lightning Impulse 1,2/50µs	650 kV
Wet Switching Impulse	500 kV
Wet Power frequency AC	315 kV
Routine test Imin dry 50Hz	325 kV
Rated Current	5000 A
Creepage Distance	4775 mm
Mass	410 kg

Ordering Data:

BUSHING		COLOUR AIR INSULATOR		
1ZSC902145-ABB		BROWN		
OUTER TERMINAL				
		Max. Rated Current (A)	H2 (mm)	D2 (mm)
LF170 073-A	Al	2500	125	60
LF170 073-B	Cu	4000	125	60
LF170 073-G	Cu/Ag	4000	125	60
LF170 073-L	Cu/Sn	4000	125	60
LF170 073-BA	Cu/Ag	3000	125	2"-12UN
LF170 073-AA	Cu	5000	115	96
LF170 073-DB	Cu/Ag	5000	125	96

END-SHIELD

LF170 046-U	EPOXY INSULATED
LF170 046-UP	INSULATED WITH 3 mm PRESSBOARD

DRAW ROD SYSTEM

LF170 059	LOWER DRAW ROD WITH NI=4 OR NI=6
LF170 057	UPPER DRAW ROD

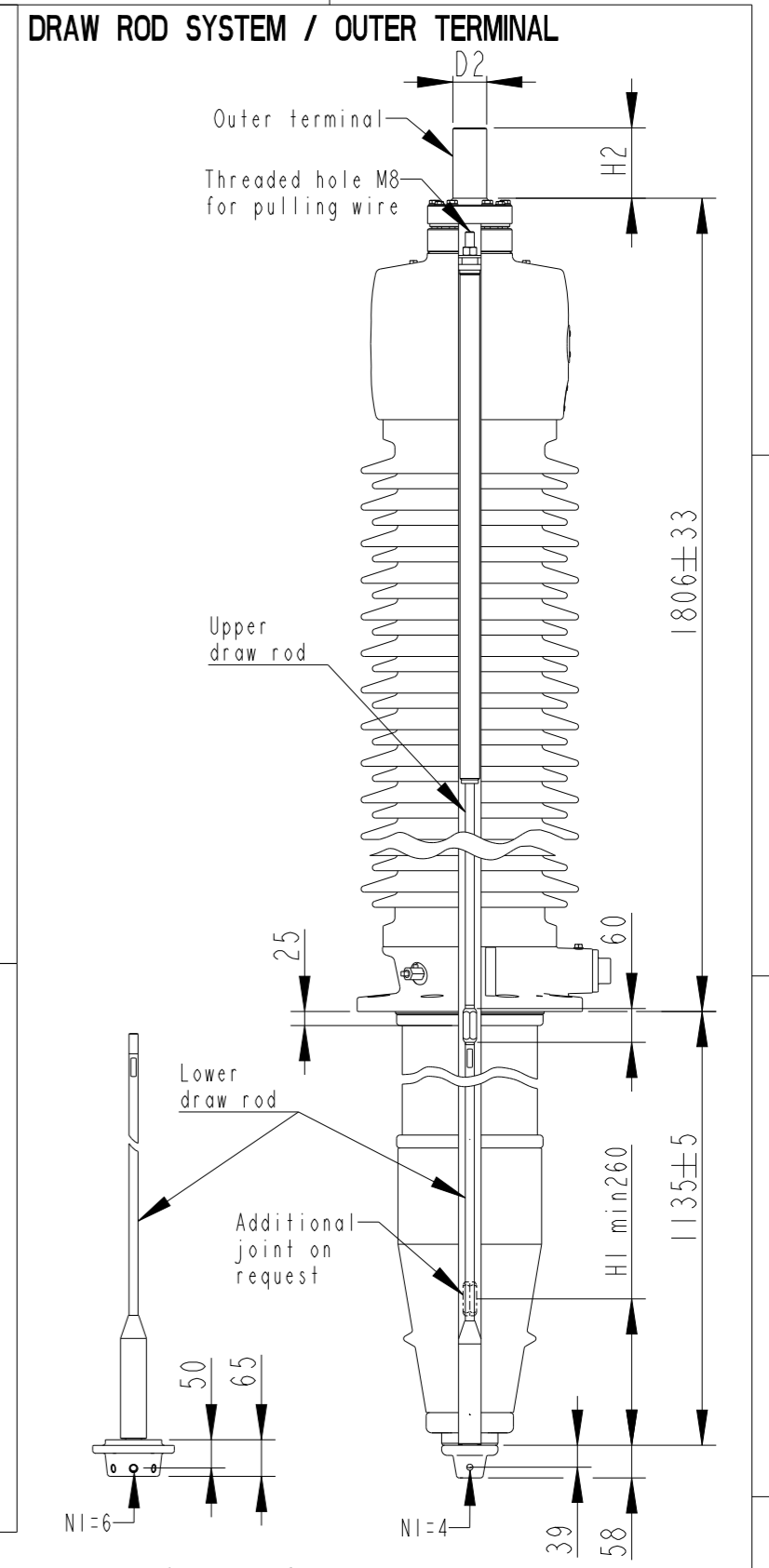
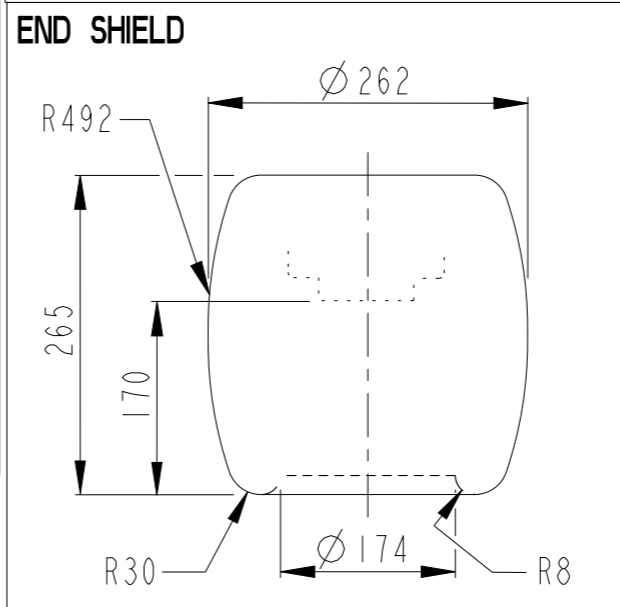
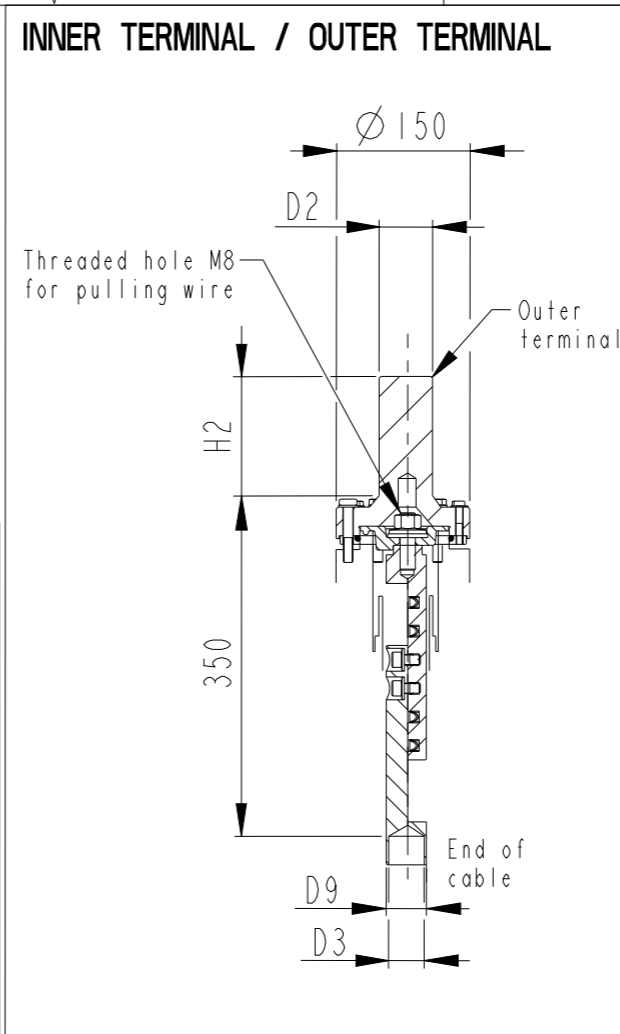
INNER TERMINAL

	D3 (mm)	D9 (mm)	Cond.area (mm ²)	Current (A) IEC	Current (A) IEEE
LF170 056-A	0 *)	35	-	-	-
LF170 056-B	15	35	95	390	370
LF170 056-C	30	35	285	1000	830

*) WITH PILOT HOLE D=5

ABB Ludvika, Sweden

No.	Um/Uy	kV	Ir	A	50/60 Hz
BIL	kV	SIL	kV	AC	kV
M	kg	L	mm	✓	°
C1	pF	Tan δ		x	
C2	pF	Tan δ		x	



NI=Number of holes M12, equipped with thread insert with screw lock, depth 20, for cable lugs.

Prepared	Kalaivanan R	2017-06-30	Responsible department	PGCO/BK	Title	
Modified by	Kalaivanan R	2017-07-06	Take over department		GOE 650-500-5000-0.6	
Approved by	Natalia Gutman	2017-07-06	Used in product		GOE 650-500-5000-0.6	Language 82
Revision	F	Drawing display updated	Order			Sheet no. 1
Document no.					2751369-308	No. Shs. (1)

