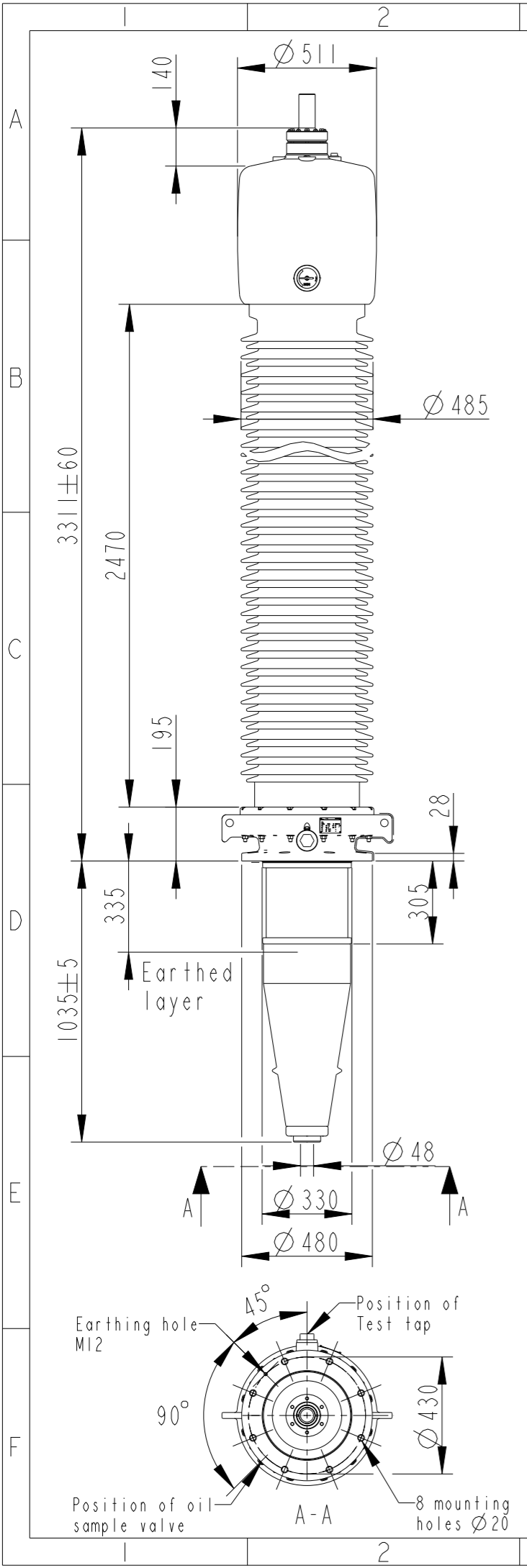


This document is issued by means of a computerized system. The digitally stored original is electronically approved. The approved document has a date entered in the "Approved"-field. A manual signature is not required.

We reserve all rights in this document and in the information contained therein. Reproduction, use or disclosure to third parties without express authority is strictly forbidden. © 2022 Hitachi Energy.



### Bushing Data:

Rated Voltage	362 kV
Phase to-earth Voltage	209 kV
Dry Lightning Impulse 1,2/50µs	1175 kV
Wet Switching Impulse	850 kV
Wet Power frequency AC	N/A kV
Routine test Imin dry 50Hz	560 kV
Rated Current	3150 A
Creepage Distance	9120 mm
Mass	825 kg

### Ordering Data:

<b>BUSHING</b>		COLOUR AIR INSULATOR	
IZSC902362-AAA		BROWN	
<b>OUTER TERMINAL</b>			
		Max. Rated H2	D2
		Current (A)	(mm)
LF170 073-A	Al	2500	125
LF170 073-B	Cu	4000	125
LF170 073-G	Cu/Ag	4000	125
LF170 073-L	Cu/Sn	4000	125
LF170 073-BA	Cu/Ag	3000	125
LF170 073-AA	Cu	5000	125

### END-SHIELD

LF170 046-U	EPOXY INSULATED
LF170 046-UP	INSULATED WITH 3 mm PRESSBOARD

### DRAW ROD SYSTEM

LF170 059	LOWER DRAW ROD WITH NI=4 OR NI=6
LF170 057	UPPER DRAW ROD

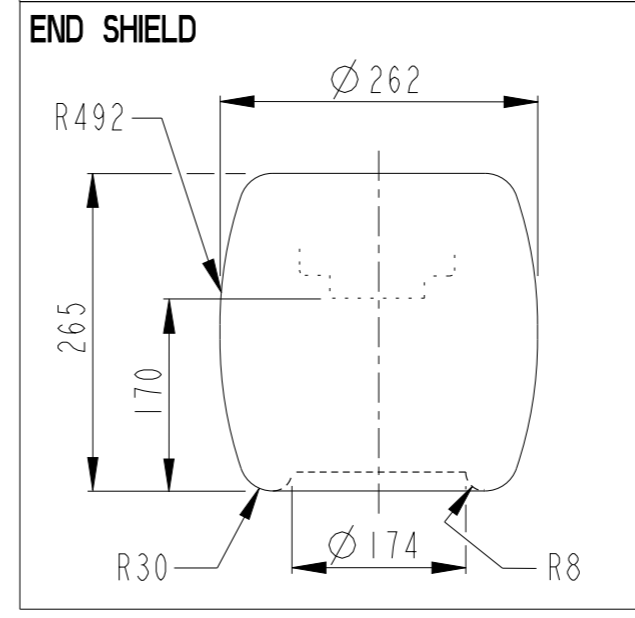
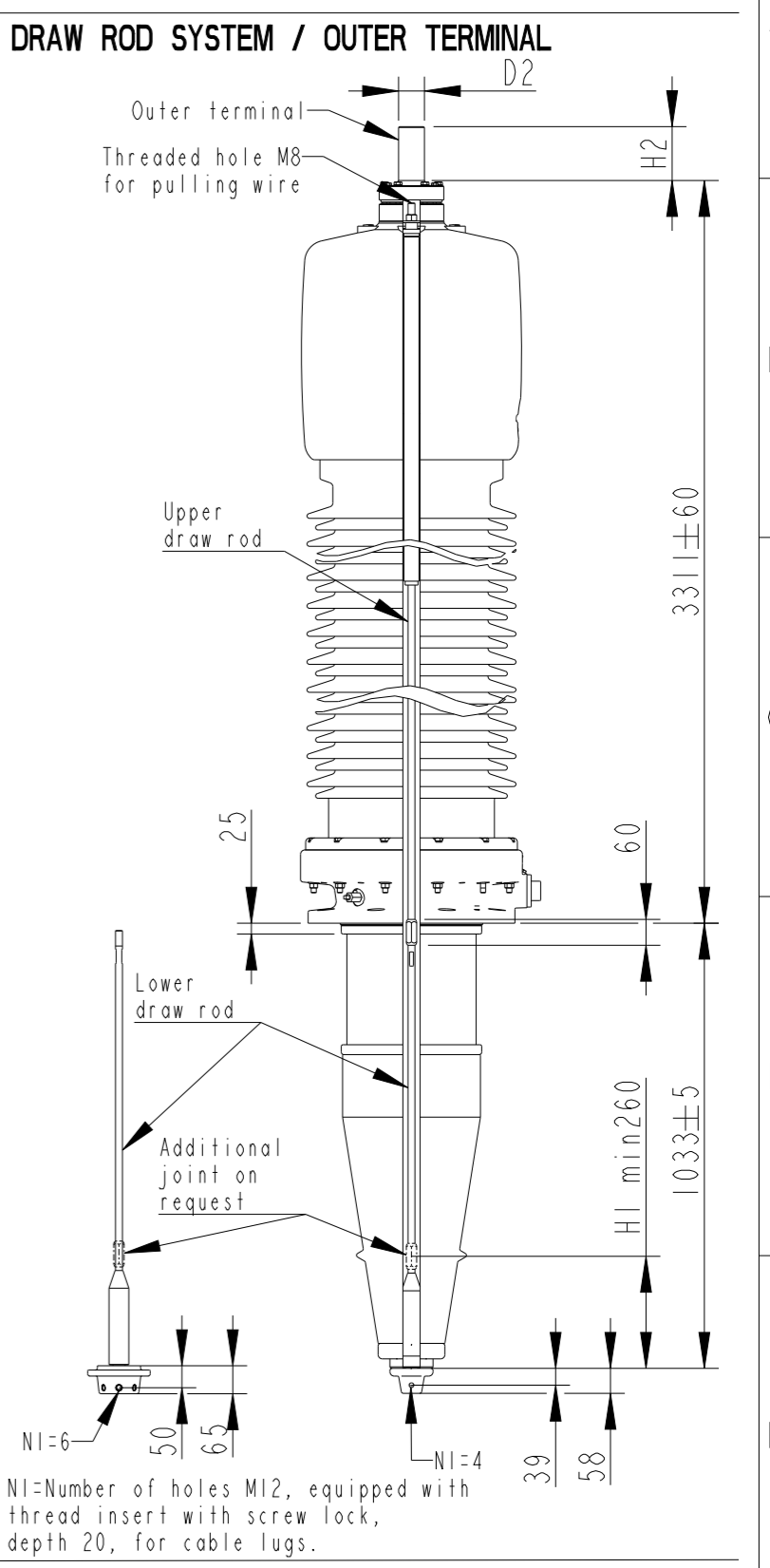
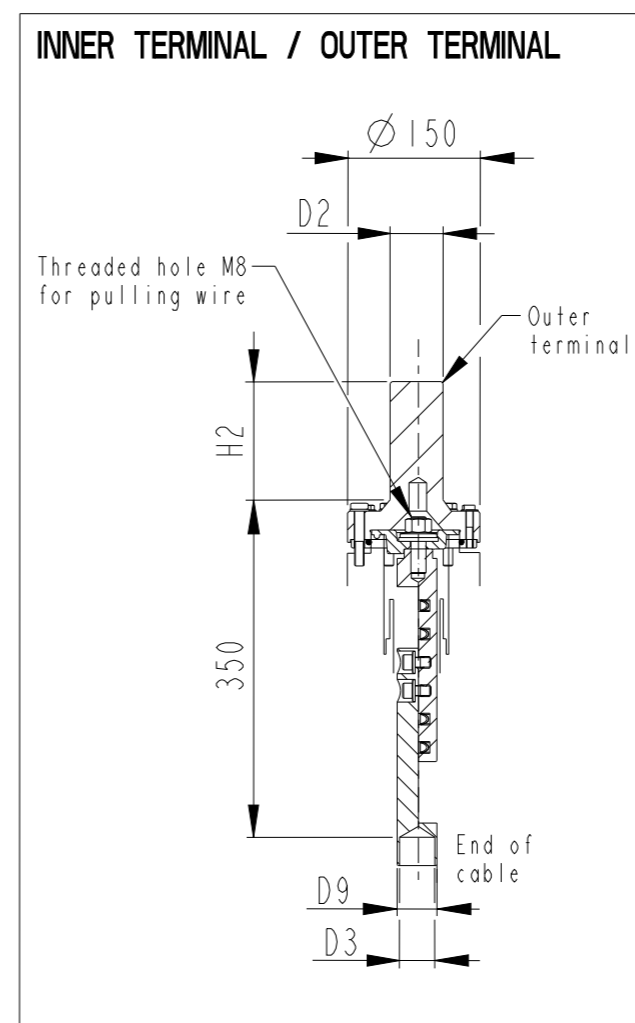
### INNER TERMINAL

	D3	D9	Cond.area	Current (A)
	(mm)	(mm)	(mm <sup>2</sup> )	IEC
LF170 056-E	0 *)	45	-	-
LF170 056-D	40	45	600	1600

\*) WITH PILOT HOLE D=5

ABB		Ludvika, Sweden	
No.			
Um/Uy	kV Ir	A	50/60 Hz
BIL	kV SIL	kV AC	kV
M	kg L	mm	°
C1	pF	Tan δ	x
C2	pF	Tan δ	x

Revision	Revision text
J	Rated current changed.



DOCUMENT KIND	APPROVED	TITLE / SUPPLEMENTARY TITLE
Dimension Drawing	2022-12-22	GOE 1175-850-3150-0.3
RESPONSIBLE DEPARTMENT		GOE 1175-850-3150-0.3
SEABB-9AAE300824		
RESPONSIBLE COMPANY	DOCUMENT ID	STATUS
Hitachi Energy Sweden AB	2751369-315	Approved
		REVISION
		J
		SHEET
		1/1